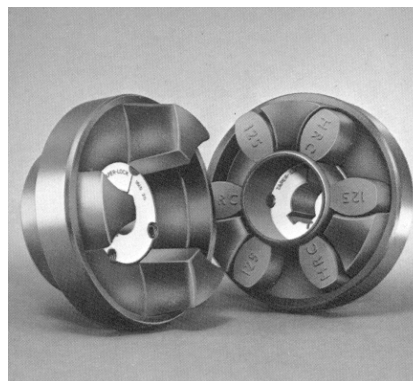


INDUSTRIAL

products

Chaussée de Ruisbroek / Ruisbroeksesteenweg 117
 1190 Bruxelles / Brussel
 Tel : 02/332.12.45 Fax : 02/332.12.89
info@industrialproducts.be www.industrialproducts.be

Accouplements élastiques HRC à moyeu amovible HRC elastische koppelingen met klembus



Prix hors TVA -- Prijs zonder BTW					
TYPE	Accouplement Koppeling 2 pieces necessary	Taper-Lock N°	Taper-Lock	Tampon Rubber	Total Totaal
		2 pieces necessary			
70	6,84 €	1008 10=>25	5,39 €	1,17 €	25,63 €
90	8,79 €	1108 10=>28	5,39 €	1,92 €	30,28 €
110	14,73 €	1610 14=>42	8,36 €	4,23 €	50,41 €
130	18,06 €	1610 14=>42	8,36 €	6,75 €	59,59 €
150	25,89 €	2012 14=>50	10,85 €	10,14 €	83,62 €
180	40,74 €	2517 16=>60	16,62 €	17,31 €	132,03 €
230	64,47 €	3020 25=>75	27,12 €	29,52 €	212,70 €
280	128,61 €	3525 35=>90	37,45 €	57,09 €	389,21 €

De stock / Op voorraad

Disponibles en 3 jours / Levertermijn 3 dagen

Variante : Le moyeu amovible de l'accouplement élastique peut se visser par l'intérieur (option F) ou par l'extérieur (option H)

Optie : Deze elastische koppelingen kunnen geleverd worden met een klembus die aan de binnenkant (optie F) of aan de buitenkant (optie H) moet geschroeft.

**Ces accouplements élastiques HRC existent aussi en version préalésée.
 Deze HRC elastische koppelingen bestaan ook met voorborbing.**

**Partenaire de vos urgences
 Dringend ? Wij kunnen zeker helpen !**

www.industrialproducts.be

HRC Coupling Selection

Table 1, Service Factors

Special cases For applications where shock, vibration and torque fluctuations occur – consult Challenge	Type of prime mover					
	'Soft' Starts			'Heavy' Starts		
	Electric motors and other smooth running prime movers			Internal Combustion Engines		
	Number of hours per day running					
Type of driven machine	10 and under	over 10 - 16 incl	over 16	10 and under	over 10 - 16 incl	over 16
Uniform load Light duty agitators, belt conveyors for sand etc., fans up to 7.5 kW, centrifugal compressors and pumps,	1.0	1.12	1.25	1.25	1.40	1.60
Moderate load Variable density agitators, belt conveyors (non-uniform loads), fans over 7.5 kW, other rotary compressors and pumps, machine tools, printing machinery, laundry machinery, rotary screens, rotary woodworking machinery	1.5	1.75	2.00	2.00	2.25	2.50
Heavy load Reciprocating compressors and pumps, positive displacement blowers, heavy duty conveyors such as screw, bucket etc., hammer mills, pulverisers, presses, shears, punches, rubber machinery, crushers, metal mills	2.50	2.75	3.00	3.00	3.50	4.00

Table 2, Power Ratings (kW)

Rotational speed in rev/min	70	90	110	130	150	180	230	280
100	0.33	0.84	1.68	3.30	6.28	9.95	20.9	33.0
500	1.65	4.20	8.40	16.5	31.4	49.8	105	165
700	2.31	5.88	11.8	23.1	44.0	69.7	146	231
720	2.37	6.05	12.1	23.8	45.2	71.6	150	238
800	2.64	6.72	13.4	26.4	50.3	79.6	167	264
900	2.97	7.56	15.1	29.7	56.5	89.6	188	297
960	3.17	8.06	16.1	31.7	60.3	95.5	201	317
1000	3.33	8.40	16.8	33.0	62.8	99.5	209	330
1200	3.96	10.1	20.2	39.6	75.4	119	251	396
1400	4.62	11.8	23.5	46.2	87.9	139	293	462
1440	4.75	12.1	24.2	47.5	90.4	143	301	475
1500	4.95	12.6	25.2	49.5	94.2	149	314	495
1800	5.94	15.1	30.2	59.4	113	179	376	594
2000	6.60	16.8	33.6	66.0	126	199	418	660
2500	8.25	21.0	42.0	82.5	157	249	523	-
2880	9.50	24.2	48.4	95.0	181	287	-	-
3000	9.90	25.2	50.4	99.0	188	299	-	-
3500	11.6	29.4	58.8	116	220	348	-	-
4000	13.2	33.6	67.2	132	251	-	-	-
4500	14.9	37.8	75.6	149	283	-	-	-
5000	16.5	42.0	84.0	-	-	-	-	-

Partenaire de vos urgences
Dringend ? Wij kunnen zeker helpen !

HRC Couplings

HRC Common Data

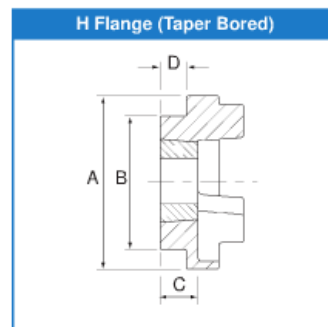
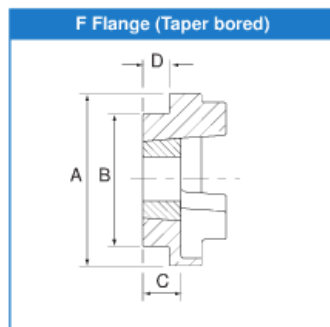
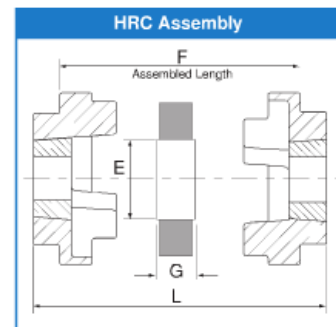
Coupling Size	Nominal Torque Nm	Overall Diameter A	Hub Diameter B	Assembled Length F	Element		Parallel Misalignment	Weight kg	Assembled Length (L)		
					Ring Dia E	Ring Width G			FF, FH, HH	FB, HB	BB
70	31	69	60	25.5	31	18.5	0.3	1.00	65.5	65.5	65.5
90	80	85	70	30.5	32	22.5	0.3	1.17	69.5	76.5	82.5
110	160	112	100	45.5	45	29.5	0.3	5.00	82.5	100.5	119.5
130	315	130	105	53.5	50	36.5	0.4	5.46	89.5	110.5	131.5
150	600	150	115	60.5	62	40.5	0.4	7.11	107.5	129.5	152.5
180	950	180	125	73.5	77	49.5	0.4	16.65	142.5	165.5	189.5
230	2000	225	155	85.5	99	59.5	0.5	26.05	164.5	202.5	239.5
280	3150	275	206	105.5	119	74.5	0.5	50.05	207.5	246.5	285.5

Angular misalignment capacity up to 1 deg

Weight is for an FF, FH or HH coupling with mid range Taper Bushes
F refers to combinations of flanges: FF, FH, HH, FB, HB, BB.

HRC Type F & H

Coupling No	Bush size	Max. Bore		Shoulder Width D	Hub Width C
		mm	inch		
70	1008	25	1"	20.0	23.5
90	1108	28	1.1/8"	19.5	23.5
110	1610	42	1.5/8"	18.5	26.5
130	1610	42	1.5/8"	18.0	26.5
150	2012	50	2"	23.5	33.5
180	2517	65	2.1/2"	34.5	46.5
230	3020	75	3"	39.5	52.5
280	3525	100	4"	51.0	66.5



Partenaire de vos urgences
Drigend ? Wij kunnen zeker helpen !